

CLAUS REACTOR REFRACTORY DRILLING SYSTEM

Model H6G

- Use of the H6G produces the required hole through the refractory for mounting of the Delta Controls Model HTP and HTX series thermocouples.
- Provides the necessary precision for proper installation (I.D., perpendicular and centered to the mounting flange)

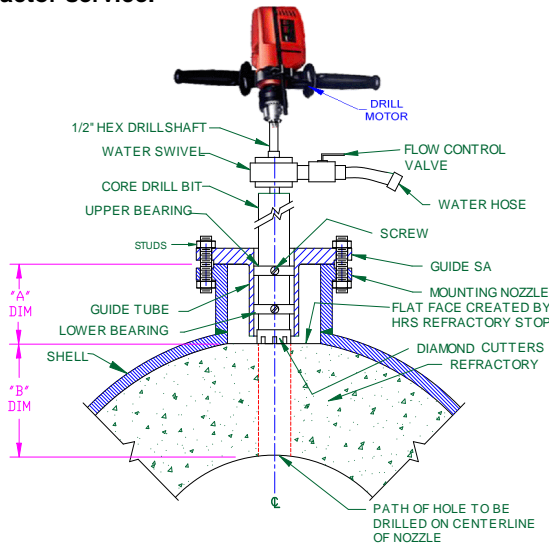
APPLICATIONS

Successful installation of the Delta Controls Model HTP/HTX thermocouples requires close tolerances in the creation of the hole through the refractory. The Delta Controls Model H6G guide assembly is used to drill straight, centered and perpendicular holes necessary to protect the design clearances of the thermocouple, particularly in installations that incur shifting refractory.

The H6G guide is rigidly mounted on the vessel nozzle flange and keeps the drill bit on the centerline of the nozzle during drilling. The water swivel adapter and flow control valve deliver the proper amount of water to facilitate the drilling without introducing excessive water to the vessel interior. The final result is a straight hole that is properly positioned to accept the refractory well and the HTP thermocouple.

This precision hole permits proper insertion of the Model HRW outer protective thermowell and provides the proper clearances for refractory movement.

Note: Attempts to create the proper hole without the use of a precision guide usually results in thermocouple breakage upon start-up. Hand drilling will rarely produce a suitable hole usable for the thermocouple in Claus reactor service.



GUIDE AND DRILL BIT IN PLACE.
READY TO PRODUCE A HOLE



SPECIFICATIONS

| | |
|--|---|
| Flange Size: | ANSI 4" & 6" 150 & 300 Class nozzles |
| Nozzle ID: | 3.44" (87mm) and larger |
| Nozzle Height + Refractory Thickness: | To 22 inches (560 mm) standard (for longer depths, add optional drill bit extensions) |
| Refractory Thickness: | Unlimited (add drill bit extensions as needed) |
| Hole Size: | 2.20" (56 mm) + 0.1", - 0.0" |
| Drill Bit: | Diamond core type, with nylon guide bearings. |
| Water Swivel: | Bronze bearings, rubber seals, flow control valve, 1/2" hex drill drive shaft and 1M hose |
| Drill Motor: | 1/2" chuck size, 50 to 600 RPM variable speed |
| Option: | Drill bit extension, 12" length |

MODEL NUMBERING SYSTEM

| | | | | | |
|---------|-------------------------------|-------------|---------------|----------------------|---------|
| | Basic Type | Nozzle I.D. | Nozzle Height | Refractory Thickness | Options |
| Model | H6G | 5.76 | 7.5 | 10.45 | AA |
| Example | H6G - 5.76 - 7.5 - 10.45 - AA | | | | |

| | | | |
|--|-------------|-----|-----------------------|
| M/N | Description | M/N | Description |
| * | Inches | AA | NONE |
| * | Millimeters | EX# | 12" Extension(s) |
| * - Replace "*" with actual dimensions | | | "#" = number required |



Engineered Sensors – For Difficult Services

Shreveport, LA 71107 - USA
Ph: +1(318) 424-8471
support@clautemp.com
www.clautemp.com